

100 - 110

- $dY = -A$
- Rigid; weight = 0
- Material: Same as Line Pipe
- Temp = Line Temp
- Press = 0
- Corr Allow = 0
- Insul Thk = 0
- SG = 0

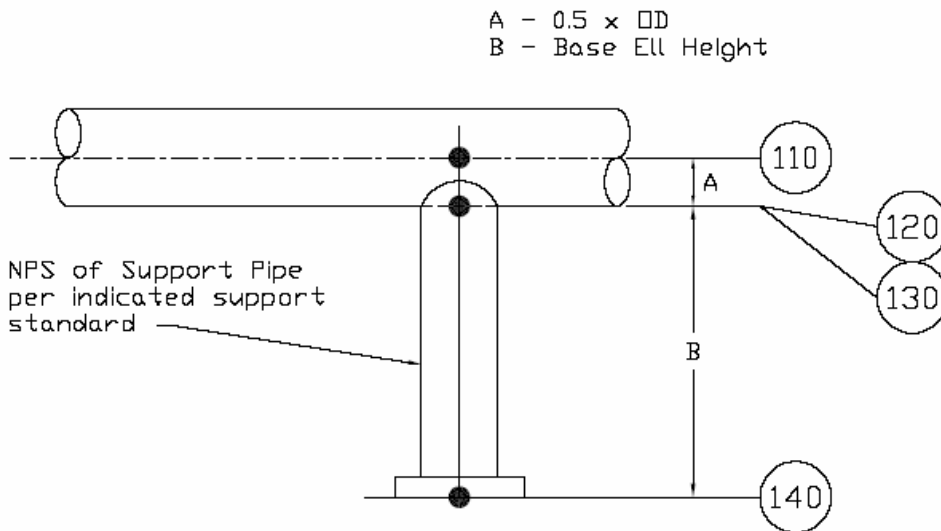
110 - 120

- $dY = -B$
- Material: Same as Line Pipe
- Rigid; weight = 0
- Restraint: 120 Anchor; CNode - 130
- Temp = Ambient (70°F)
- Press = 0
- Corr Allow = 0
- Insul Thk = 0
- SG = 0

130 - 140

- $dY = -C$
- Material: Same as Line Pipe
- SIF at 130 = 2 "Unreinforced"
- Restraint: 140 Y [X, Z if applicable]
- Temp = Ambient (70°F)
- Press = 0
- Corr Allow = 0
- Insul Thk = 0
- SG = 0

BASE ELL MODEL - AT ELBOW



110 - 120

- $dY = -A$
- Material: Same as Line Pipe
- Rigid; weight = 0
- Restraint: 120 Anchor; CNode - 130
- Temp = Ambient (70°F)
- Press = 0
- Corr Allow = 0
- Insul Thk = 0
- SG = 0

130 - 140

- $dY = -B$
- Material: Same as Line Pipe
- SIF at 130 = 2 "Unreinforced"
- Restraint: 140 Y [X, Z if applicable]
- Temp = Ambient (70°F)
- Press = 0
- Corr Allow = 0
- Insul Thk = 0
- SG = 0

BASE ELL MODEL - NOT AT ELBOW