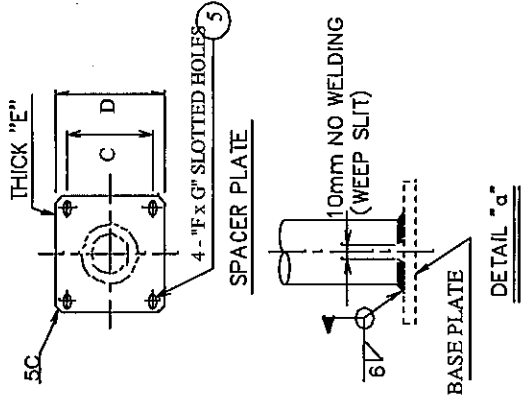
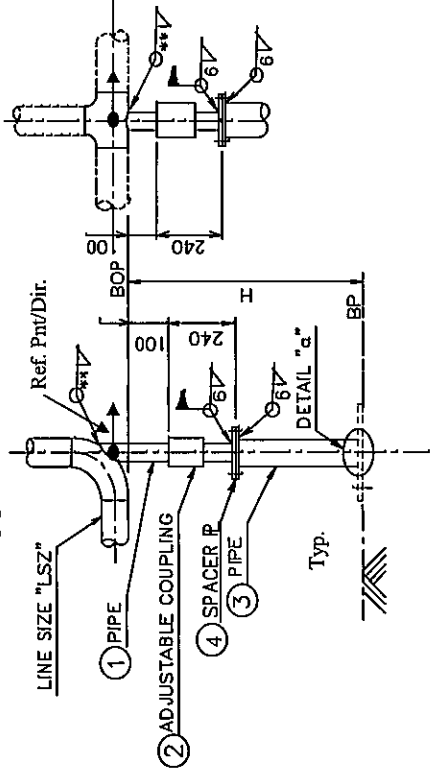


## PIPE SUPPORT STANDARD

**TYPE:** SEBAP Stanchion on Elbow, Sliding w/bolt, Adjustable, Pipe Type  
 STBAP Stanchion on Tee, Sliding w/bolt, Adjustable, Pipe Type

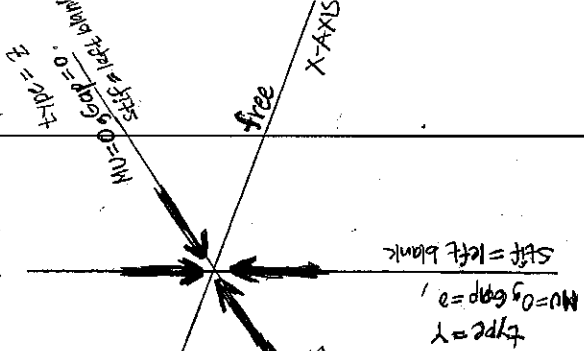
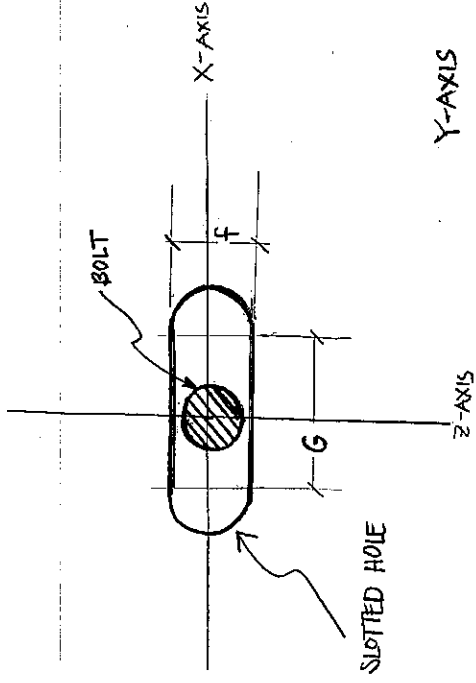
\*\* : same with pipe thk.



Applicable Base/Anchor Type : "A", "C", "W"  
 Applicable Material Code : "1", "2", "3"  
 Applicable Insulation Type : "H", "P", "N", "I"  
 Max. Insulation Thickness : 80 mm

### Selection to Line Size

Line Size	Applicable Cond.		Pipe Size	
	A	B	A	B
1.1/2			1	By Cal
2			1.1/2	By Cal
3			2	By Cal
4			3	By Cal
5			4	By Cal
6			4	By Cal
8			6	By Cal
10			6	By Cal
12			6	By Cal
14			8	By Cal
16			8	By Cal
18			10	By Cal
20			10	By Cal
24			14	By Cal
26			14	By Cal



### Available Selection

Pipe Size B	Applicable Cond.		Dimension		E	F X G	B/N Size for Spacer Plate
	Max H	Min H	C	D			
1	2500	440	80	130	6	14 X 22	M12 X 35L W/WASHER
1.1/2	2500	440	80	130	6	14 X 22	M12 X 35L W/WASHER
2	2500	440	80	130	6	14 X 22	M12 X 35L W/WASHER
3	2500	440	100	160	9	19 X 30	M16 X 40L W/WASHER
4	2500	440	130	190	9	19 X 30	M16 X 40L W/WASHER
6	2500	440	180	240	9	19 X 30	M16 X 40L W/WASHER
8	2500	440	220	300	12	22 X 40	M20 X 55L W/WASHER
10	2500	440	270	350	12	22 X 40	M20 X 55L W/WASHER
12	2500	440	320	400	12	22 X 40	M20 X 55L W/WASHER
14	2500	440	350	450	12	22 X 40	M20 X 55L W/WASHER
16	2500	440	400	500	16	22 X 40	M20 X 55L W/WASHER
18	2500	440	450	550	16	22 X 40	M20 X 55L W/WASHER
20	2500	440	500	650	19	29 X 49	M24 X 70L W/WASHER
24	2500	440	550	700	19	29 X 49	M24 X 70L W/WASHER