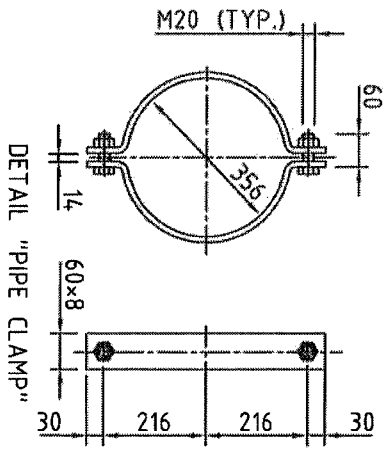
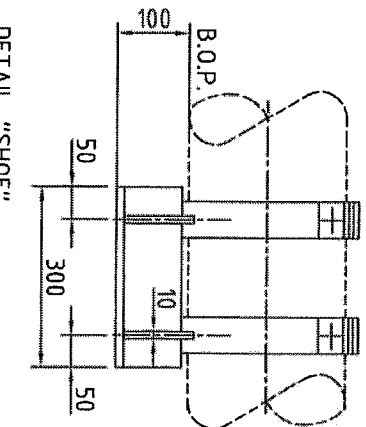
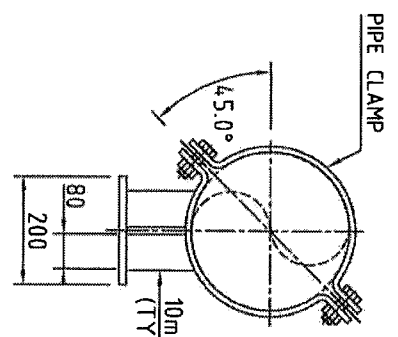
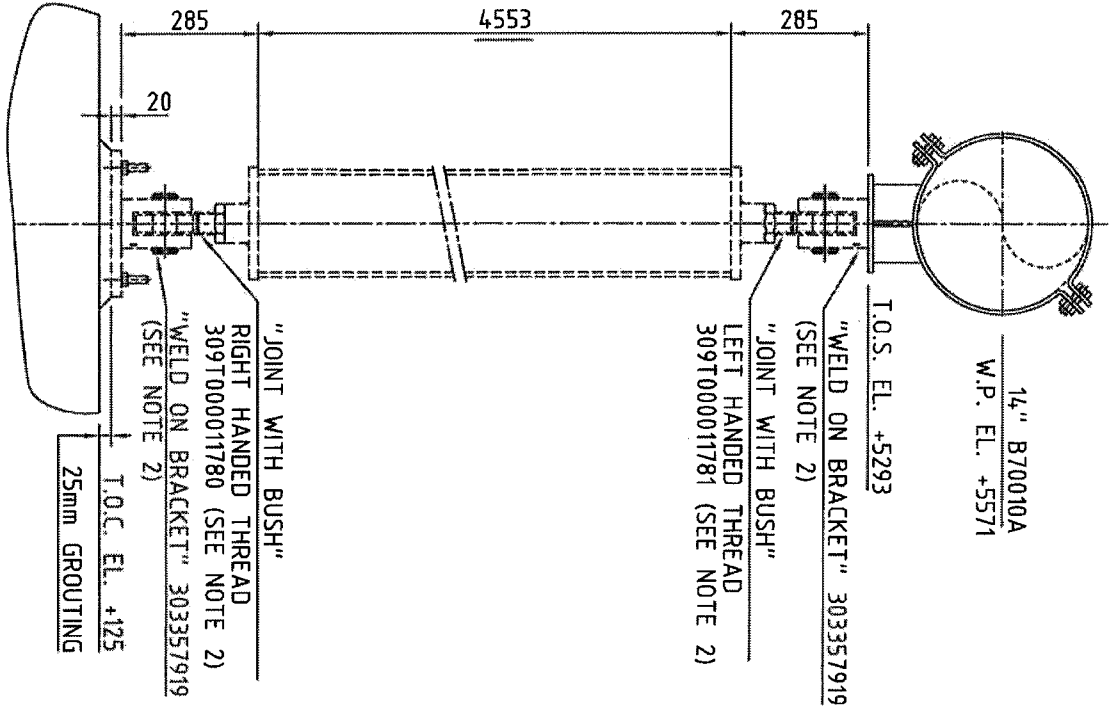


Multiple User: Loo Date: Remarks:



- NOTES:  
 1) 2 mm PTFE STRIP INSTALLED BETWEEN PIPE AND CLAMP

MATERIAL:  
 CLAMP P355NH (WSTE355) EN 10028 TEIL-3  
 BOLTS A320-L7, NUTS A194-GR-4H

LOC. ON DWG.	GENERIC	YES
PART 9		

TITLE:	
DATE:	
BY:	
CHECKED:	
APPROVED:	

SIZE A3