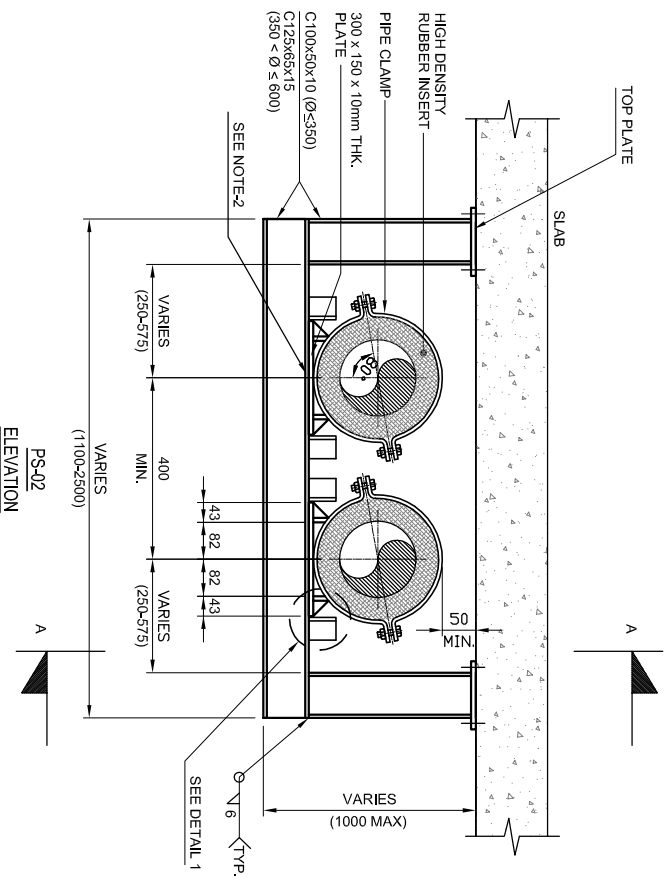
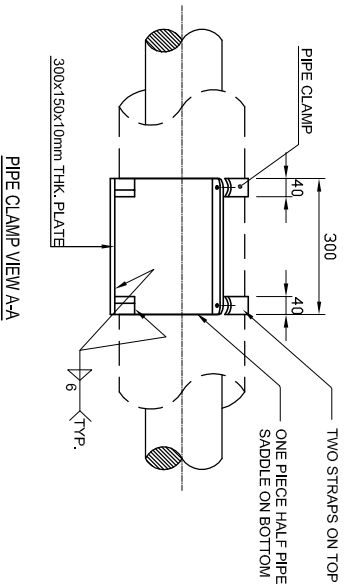
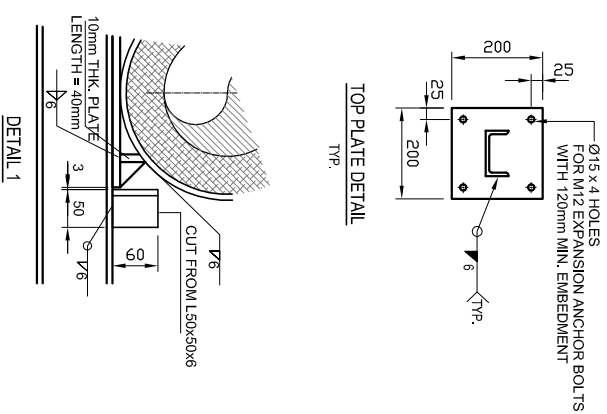


REST SUPPORT PS-01



GUIDE SUPPORT PS-02



DETAIL 1

- NOTES:**
1. APPLICABLE FOR ABOVE GROUND ETS PIPE WORK.
 2. ALL THE SUPPORTS EXCEPT AXIAL STOPS AND ANCHORS SHALL BE PROVIDED WITH 3MM TEFELON PADS BETWEEN PIPE CLAMPS AND SUPPORT MEMBER. FIXED ONE SIDE WITH SUITABLE ADHESIVE.

No.	DATE	AMENDMENT DESCRIPTION	CHK'D	APP.
A	JAN. 10	ISSUED FOR TENDER	S.M.S.	H.P.G.

PARSONS INTERNATIONAL LIMITED
 ABU DHABI / DUBAI, U.A.E.
 CALIFORNIA, U.S.A.

EMIRATE OF DUBAI
 NATIONAL CENTRAL
 COOLING Co. (P.J.S.C)
 DUBAI UAE

DUBAI METRO GREEN LINE
 DISTRIBUTION PIPELINE NETWORK
 AL OUSAIS DEPOT AREA
 TYPICAL SUSPENDED SUPPORT DETAILS
 REST/ GUIDE SUPPORTS PS-01 AND PS-02

SCALE	DATE	DESIGNED	CHECKED	APPROVED	TENDER No.
1:1	JAN. 2010	A.E.M.	J.M.E.	M.P.G.	DBMT-T-C-02-09

NOT FOR CONSTRUCTION
 SCALES SHOWN ON THIS DRAWING ARE
 APPLICABLE ONLY TO A1 SIZE DRAWING.